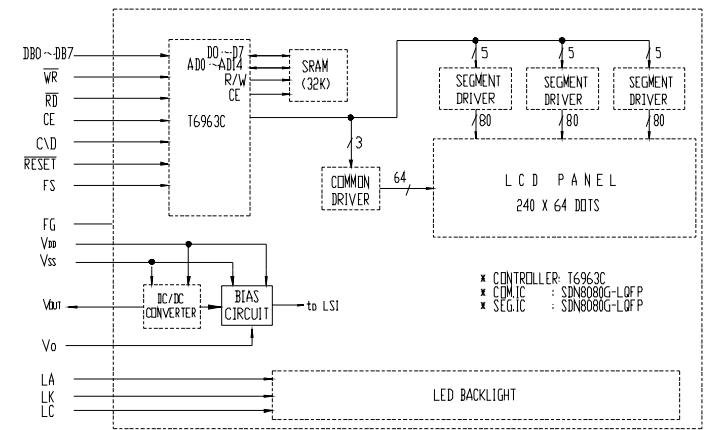


BLOCK DIAGRAM

CNI																			
1	2	3	4	5	6	7	8	9	10	11	12	13	14	15	16	17	18	19	20
VSS1	VDD1	VO	C/D	RD	WR	DB0	DB1	DB2	DB3	DB4	DB5	DB6	DB7	CE	RESET	VEE	LC	LK	LA



- NOTES:
1. DISPLAY TYPE: STN/POSITIVE/GREY/TRANSFLECTIVE/6:00
 2. OPERATING TEMP: -20°C~70°C
STORAGE TEMP: -30°C~80°C
 3. 1/64 DUTY, 1/9 BIAS, VLCD=8.5V, VDD=5V
 4. BACKLIGHT: YELLOW-GREEN LED, IF=280mA MAX VF=4.1V
 5. COLOUR OF IRON FRAME: BLACK
 6. RoHS COMPLIANT

CUSTOMER APVL	CUSTOMER	DATE	TITLE	
DRAWN	SCALE		M124064Q	
DFTG CHK	UNIT	mm	MODEL	
ENGR CHK	APPROVAL		MODEL	
MULTI-INNO TECHNOLOGY CO.,LTD.			DWG NO	PAGE 1/1